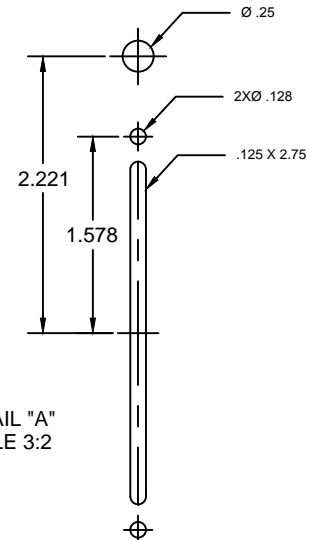
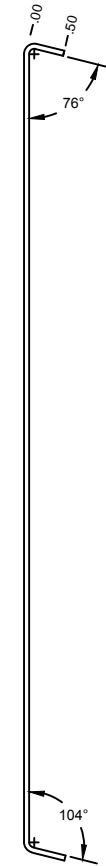
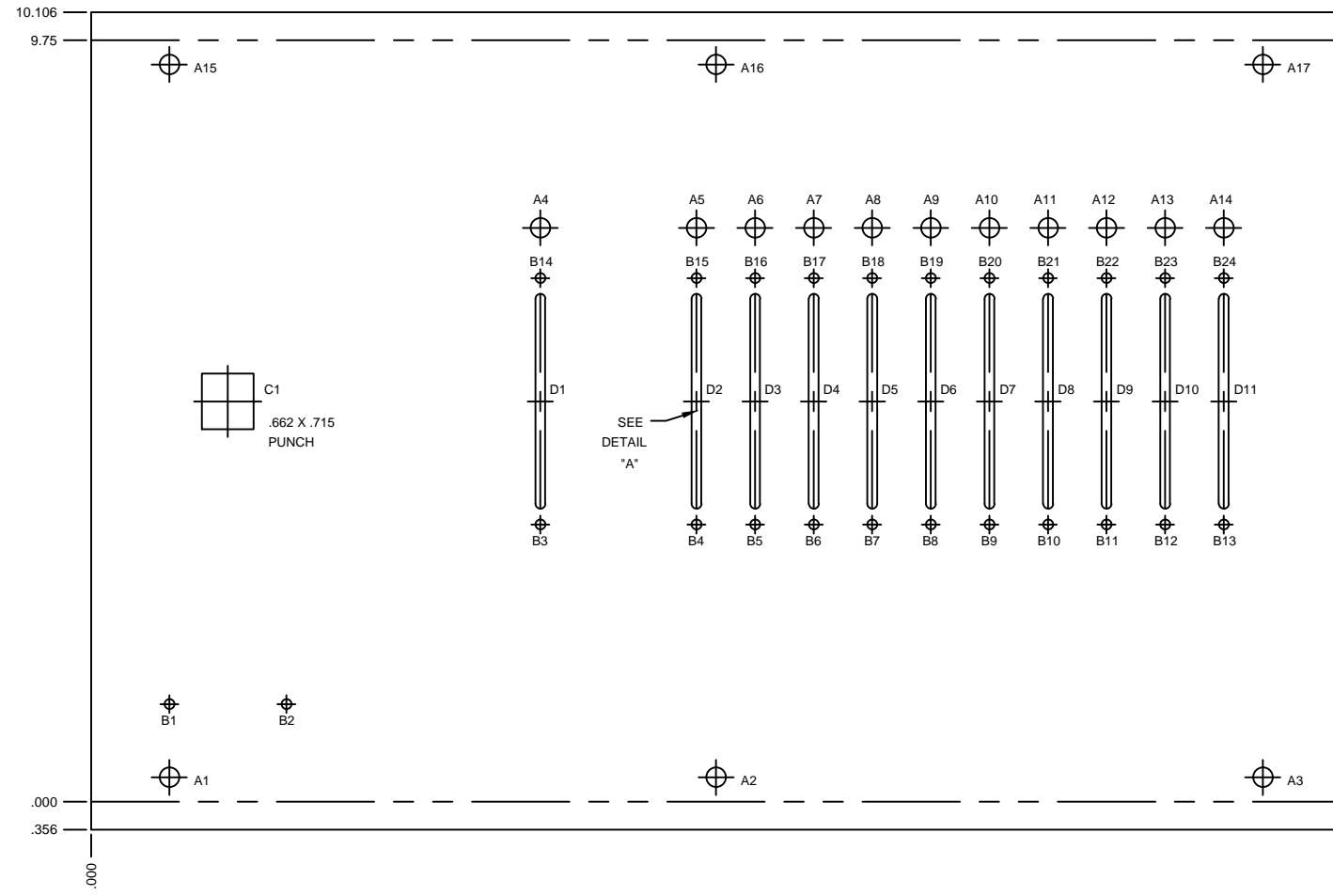


PRODUCED BY AN AUTODESK EDUCATIONAL PRODUCT

PRODUCED BY AN AUTODESK EDUCATIONAL PRODUCT



DETAIL "A"  
SCALE 3:2

ID	X	Y	SIZE
A1	1.00	0.312	0.250
A2	8.00		
A3	15.00		
A4	5.75		
A5	7.75		
A6	8.50		
A7	9.25		
A8	10.00		
A9	10.75		
A10	11.50		
A11	12.25		
A12	13.00		
A13	13.75		
A14	14.50		
A15	1.00		
A16	8.00		
A17	15.00		
B1	1.00	9.438	0.128
B2	2.50		
B3	5.75		
B4	7.75		
B5	8.50		
B6	9.25		
B7	10.00		
B8	10.75		
B9	11.50		
B10	12.25		
B11	13.00		
B12	13.75		
B13	14.50		
B14	5.75		
B15	7.75		
B16	8.50		
B17	9.25		
B18	10.00		
B19	10.75		
B20	11.50		
B21	12.25		
B22	13.00		
B23	13.75		
B24	14.50		
C1	1.75	1.250	NOTED
D1	5.75	5.125	SEE DETAIL A
D2	7.75		
D3	8.50		
D4	9.25		
D5	10.00		
D6	10.75		
D7	11.50		
D8	12.25		
D9	13.00		
D10	13.75		
D11	14.50		

SHOP USE ONLY

NOTES: 1. MATERIAL : .064 CLEAR BRUSHED ALUMINUM  
WITH BLACK SILK-SCREENED LEGENDS

TOLERANCES: .X ± .01 .XX ± .003 .XXX ± .001 .XXXX ± .0001 ANGLES ± 1'	SMCP 1-10-C CONTROL CONSOLE		
	SCALE: 1=1	APPROVED:	DR. BY: F. MORENO
	DATE: 03/31/2011		REVISED:
AUSTIN COMMUNITY COLLEGE			
DFTG 1458.16758		SHEET: 3 OF 4	